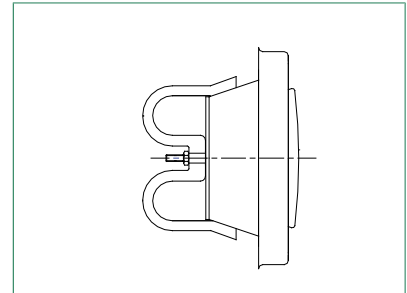
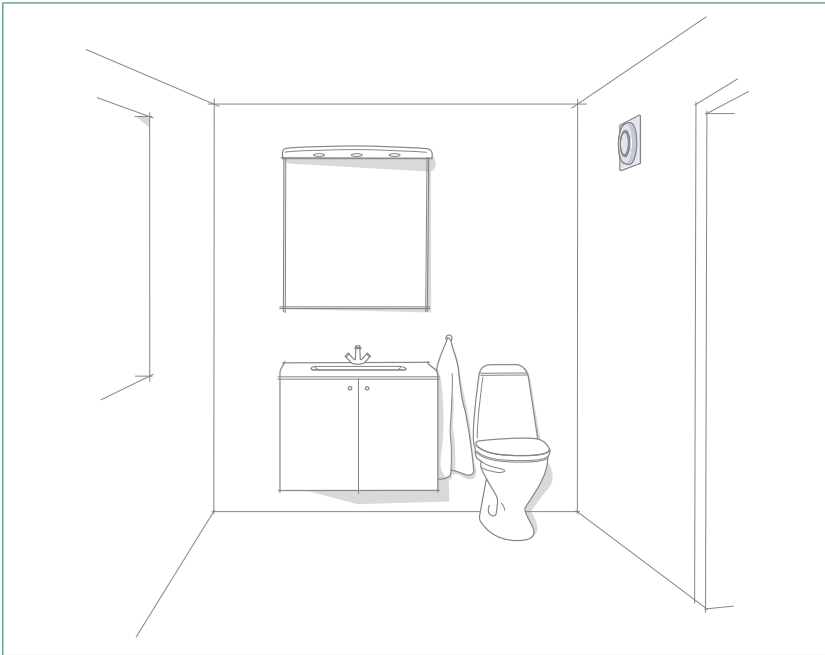


SAV Exhaust air valve



Exhaust air valve SAV for rectangular connections is especially designed for renovation use. SAV consists of air exhaust valve KSO-100 and a covering plate with springs.

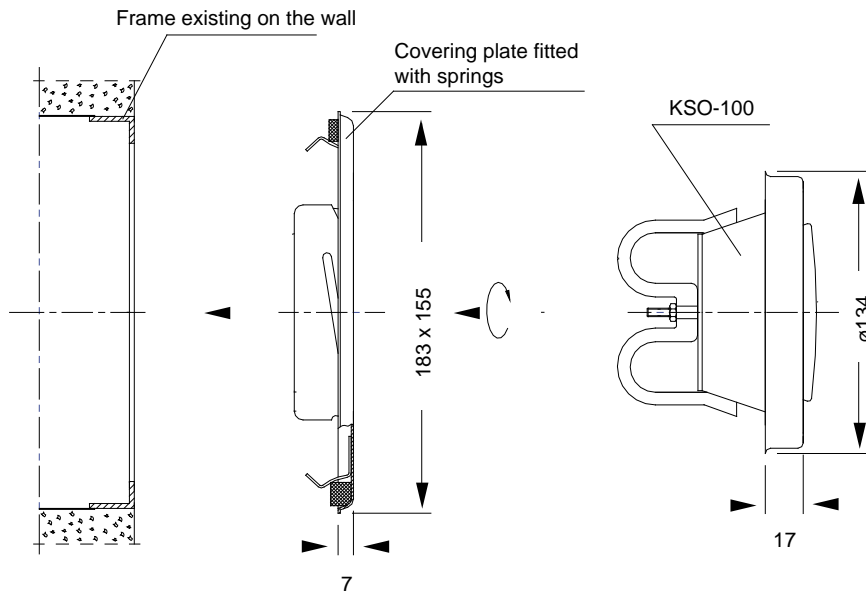
Specifications

- For rectangular outlets.
- Manufactured of steel

Product code example

Exhaust air valve SAV

Dimensions



General

Application

Exhaust air valve SAV for rectangular connections is especially designed for renovation use.

Construction

SAV consists of air exhaust valve KSO-100 and a covering plate with springs. KSO valve is equipped with screw spindle. Adjustment of the valve is achieved by simply rotating the disc.

Material and surface finish

Exhaust air valve SAV is made of sheet steel.

The valve is powder coated and standard colour is white (RAL 9010). Other colours and CleanVent coating on request.

Descriptive text

Exhaust air valve SAV manufactured by FläktGroup.

Product code

Exhaust air valve

SAV-100

Exhaust air valve, CleanVent

SAV-100-C

Exhaust air valve, special colour

SAV-100-E